

# LUXUS Wide Angle LED



The LUXUS Wide Angle LED is an ultra effective underwater floodlight designed for fixed installation on underwater systems and applications.

With its uniquely rounded design, the LUXUS Wide Angle LED features a wide beam angle and offers optimal work light conditions within a very extensive illuminated area. Enabled by a flexible dedicated mounting bracket, the LUXUS Wide Angle LED is installable at any vertical and horizontal angle.

The LUXUS Wide Angle LED is a wet and dry light that can also be used in the splash zone. The dual LUXUS Wide Angle LED has an output of 4500 lumen and can be supplied with AC or DC based power supply. The light is delivered with SubConn® or alternative customer specified connectors.

The housing is made from titanium and high grade plastic and has a depth rating of 4,000 metres.

## Features and benefits

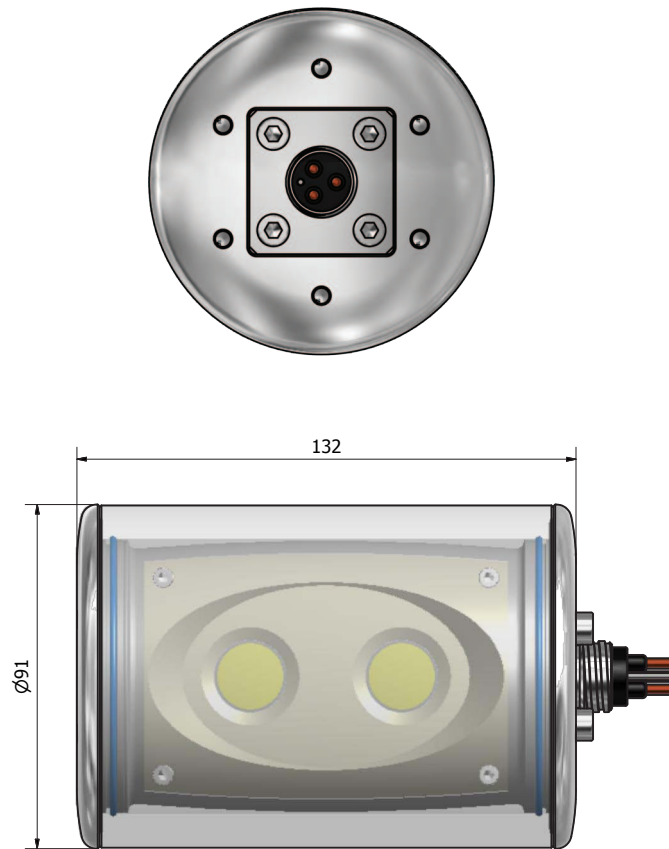
- Wide beam angle
- High output
- Flexible installation
- Wet and dry
- 4,000 m depth rating
- Thermal protection

## Applications

- General underwater inspection
- General underwater lighting
- ROV systems
- Trencher systems
- Crawler systems
- Diver habitats
- Tow and drop camera systems
- Benthic sledge systems
- Underwater observatory systems
- Harbour security installations
- Moon pool lighting

## Options

- Alternative connectors
- Custom wiring
- Flexible dedicated mounting bracket



## Specifications

### Electrical

Power supply:	24 - 32 VDC 90 - 250 VAC / 50 - 60 Hz
Power consumption:	50 W
Dimming:	0 - 10 VDC or potentiometer
Standard wiring:	1 Power + (DC) 2 Power Gnd (DC) 3 Dimming (10 VDC)
	1 Power (AC) 2 Power (AC) 3 Dimming (+10 VDC) 4 Dimming (Gnd) 5 Earth

### Mechanical

Material:	Titanium
Standard connector:	SubConn® FCR1503M Ti (DC power supply) SubConn® FCR1505M Ti (AC power supply)

Other connectors:	On request
Dimensions:	See drawing (mm)
Weight:	1,500 g in air 875 g in water
Window/Lens:	Lexan
Thermal protection:	Yes, auto resetting

### Optical

Beam angle air:	110°
Beam angle water:	83°
Output:	4,500 lumen
Typical colour temperature:	>5,600 °K

### Environmental

Depth rating:	4,000 m
Test pressure:	600 bar
Storage temperature:	-30 to 70 °C
Operating temperature:	-15 to 45 °C